

***E*lectrical *I*nsulators and *S*upports Ltd**

Low Voltage

High Voltage

EIIS

Insulators

&

Busbars

Telephone 0845 224 0328
Fax 0845 224 0329
Email sales@electricalinsulators.co.uk
Web www.electricalinsulators.co.uk

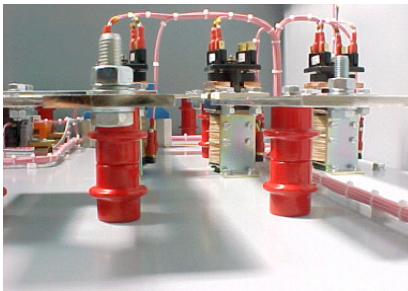
Unit 3 Albert Street
Little Lever
Bolton BL3 1JH

From its conception in the late 90's the ethos of Electrical Insulators and Supports has been one of total customer care and service.

EIS is acknowledged as the UK's number one supplier of Insulators and Busbar supports serving the Panel Building market.

Contacts:-

Office	0845 224 0328
Fax	0845 224 0329
Walter Thorpe	01204 791450 07904 104589
James Benjafield	01869 248379 07904 108409



Price List May 2009

Barrel Insulators

Part No	Up to 99	Box of 100
M625R	1.24	118.80
M535RS	1.48	141.48
M635RS	1.48	141.48
M835RS	1.48	141.48
M1035RS	1.64	156.60
M635R	1.48	141.48
M835R	1.64	156.60
M1035R	1.81	172.80
M840R	1.72	164.16
M1040R	1.85	176.04
M851R	2.07	197.64
M1051R	2.18	208.44
M1076R	6.51	621.00

Hexagonal Insulators

Part No	Up to 99	Box of 100
20HM630R	1.13	107.35
20HM830R	1.18	112.10
25HM625R	1.24	117.80
25HM830R	1.42	134.90
25HM840R	1.48	140.60
25HM845R	1.56	148.20
25HM850R	1.64	155.80
25HM860R	1.81	171.95
35HM835R	1.73	164.35
35HM1035R	1.90	180.50
35HM1040R	2.03	192.85
35HM1045R	2.09	198.55
35HM1050R	2.29	217.55
45HM1050R	4.65	441.75
45HM860R	5.01	475.95
45HM1060R	5.30	503.50
45HM1260R	5.78	549.10
45HM1070R	5.98	568.10
45HM1270R	6.45	612.75
45HM10100R	9.89	939.55
45HM12100R	10.12	961.40

Busbar Supports

Part No	Up o 99	Box of 100
PM3006	5.05	479.75
PM30010	5.05	479.75
PM4106	8.78	834.10
PM41010	8.78	834.10
EL296	5.05	479.75
EL406	8.78	834.10

H V Insulators

Part No	Up to 99	Box of 100
EL3	7.64	725.80
EL6	8.53	810.35
EL12	9.13	867.35
EL15	10.50	997.50

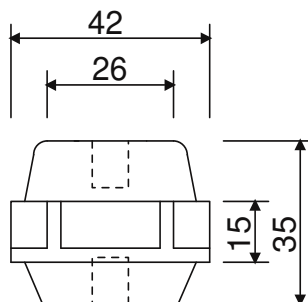
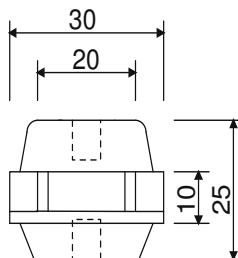
Telephone 0845 224 0328
 Fax 0845 224 0329
 email sales@electricalinsulators.co.uk
 web www.electricalinsulators.co.uk

Electrical Insulators and Supports Ltd
 Unit 3 Albert Street
 Little Lever
 Bolton BL3 1JH

Barrel Standoff Insulators Range

	Height	Insert	Insert Depth	Torque Nm
M625R	25	M6	7	>9
M635R	35	M6	7	>9
M835R	35	M8	12	>17
M1035R	35	M10	12	>25

Material Specification	DMC Glass Reinforced Polyester
Physical	
Density	1.85 g/cm ²
Distortion Temp.	>200° C
Water absorption	0.12%
Flammability	Self extinguishing
Insert	Brass
Mechanical	
Tensile strength	3-5 Kg/mm ²
Flexural strength	10-12 Kg/mm ²
Compressive strength	10-20 Kg/mm ²
Impact strength	<20 Kg-cm/cm ²
Electrical	
Dielective strength	10 KV/mm
Tracking index	>600
Arc resistance	>180



Barrel Standoff Insulators

Telephone 0845 224 0328
 Fax 0845 224 0329
 Email sales@electricalinsulators.co.uk
 Web www.electricalinsulators.co.uk

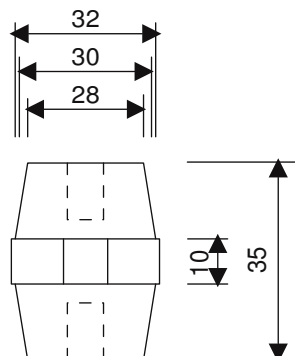
Electrical Insulators and Supports Ltd

Unit 3 Albert Street
 Little Lever
 Bolton BL3 1JH

Barrel Standoff Insulators Range

	Height	Insert	Insert Depth	Torque Nm
M535RS	35	M5	7	>7
M635RS	35	M6	7	>9
M835RS	35	M8	12	>15
M1035RS	35	M10	12	>20

Material Specification	DMC Glass Reinforced Polyester
Physical	
Density	1.85 g/cm ²
Distortion Temp.	>200° C
Water absorption	0.12%
Flammability	Self extinguishing
Insert	Brass
Mechanical	
Tensile strength	3-5 Kgf/mm ²
Flexural strength	10-12 Kgf/mm ²
Compressive strength	10-20 Kgf/mm ²
Impact strength	<20 Kgf-cm/cm ²
Electrical	
Dielectric strength	10 KV/mm
Tracking index	>600
Arc resistance	>180



Barrel Standoff Insulators

Telephone 0845 224 0328
 Fax 0845 224 0329
 Email sales@electricalinsulators.co.uk
 Web www.electricalinsulators.co.uk

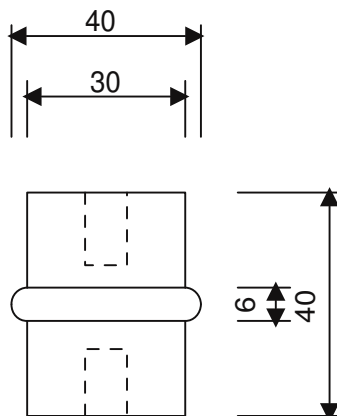
Electrical Insulators and Supports Ltd

Unit 3 Albert Street
 Little Lever
 Bolton BL3 1JH

Barrel Standoff Insulators Range

	Height	Insert	Insert Depth	Torque Nm
M840R	40	M8	12	>15
M1040R	40	M10	12	>25

Material Specification	DMC Glass Reinforced Polyester
Physical	
Density	1.85 g/cm ²
Distortion Temp.	>200 ^o C
Water absorption	0.12%
Flammability	Self extinguishing
Insert	Brass
Mechanical	
Tensile strength	3-5 Kg/mm ²
Flexural strength	10-12 Kg/mm ²
Compressive strength	10-20 Kg/mm ²
Impact strength	<20 Kg-cm/cm ²
Electrical	
Dielective strength	10 KV/mm
Tracking index	>600
Arc resistance	>180



Barrel Standoff Insulators

Telephone 0845 224 0328
 Fax 0845 224 0329
 Email sales@electricalinsulators.co.uk
 Web www.electricalinsulators.co.uk

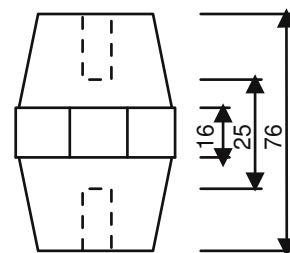
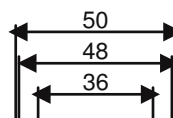
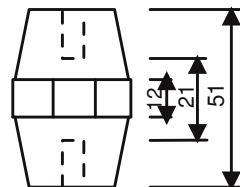
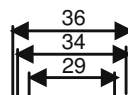
Electrical Insulators and Supports Ltd

Unit 3 Albert Street
 Little Lever
 Bolton BL3 1JH

Barrel Standoff Insulators Range

	Height	Insert	Insert Depth	Torque Nm
M851R	51	M8	12	>15
M1051R	51	M10	15	>25
M1076R	76	M10	15	>35

Material Specification	DMC Glass Reinforced Polyester
Physical	
Density	1.85 g/cm ²
Distortion Temp.	>200 ^o C
Water absorption	0.12%
Flammability	Self extinguishing
Insert	Brass
Mechanical	
Tensile strength	3-5 Kg/mm ²
Flexural strength	10-12 Kg/mm ²
Compressive strength	10-20 Kg/mm ²
Impact strength	<20 Kg-cm/cm ²
Electrical	
Dielective strength	10 KV/mm
Tracking index	>600
Arc resistance	>180



Barrel Standoff Insulators

Telephone 0845 224 0328
 Fax 0845 224 0329
 Email sales@electricalinsulators.co.uk
 Web www.electricalinsulators.co.uk

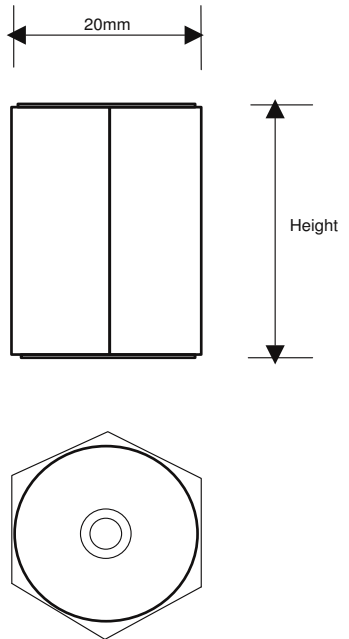
Electrical Insulators and Supports Ltd

Unit 3 Albert Street
 Little Lever
 Bolton BL3 1JH

20mm Hexagon Standoff Insulator Range

	Height	Insert	Insert Depth	Torque Nm
20HM630R	30	M6	6	>12
20HM830R	30	M8	8	>15

Material Specification	DMC Glass Reinforced Polyester
Physical	
Specific gravity	1.9
Glass content	15%
Water absorption	0.15%
Flammability	Self extinguishing
Insert	Plated steel
Mechanical	
Tensile strength	400 Kg/Cm
Flexural strength	900 Kgf/Cm
Compressive strength	1500 Kgf/Cm
Impact strength	250 J/m
Electrical	
Dielectric strength	10 KV/mm
Tracking index	>600
Arc resistance	>180



20mm Hexagon Standoff Insulator

Telephone 0845 224 0328
 Fax 0845 224 0329
 Email sales@electricalinsulators.co.uk
 Web www.electricalinsulators.co.uk

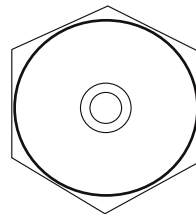
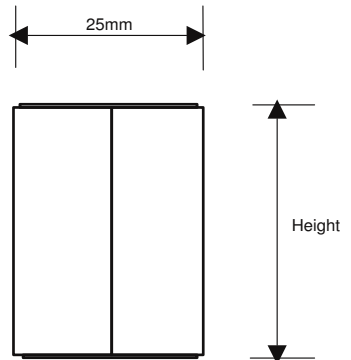
Electrical Insulators and Supports Ltd

Unit 3 Albert Street
 Little Lever
 Bolton BL3 1JH

25mm Hexagon Standoff Insulator Range

	Height	Insert	Insert Depth	Torque NM
25HM625R	25	M6	6	>12
25HM830R	30	M8	8	>15
25HM840R	40	M8	8	>15
25HM845R	45	M8	11	>15
25HM850R	50	M8	11	>15
25HM860R	60	M8	11	>15

Material Specification	DMC Glass Reinforced Polyester
Physical	
Specific gravity	1.9
Glass content	15%
Water absorption	0.15%
Flammability	Self extinguishing
Insert	Plated steel
Mechanical	
Tensile strength	400 Kg/Cm
Flexural strength	900 Kgf/Cm
Compressive strength	1500 Kgf/Cm
Impact strength	250 J/m
Electrical	
Dielectric strength	10 KV/mm
Tracking index	>600
Arc resistance	>180



25mm Hexagon Standoff Insulator

Telephone 0845 224 0328
 Fax 0845 224 0329
 Email sales@electricalinsulators.co.uk
 web www.electricalinsulators.co.uk

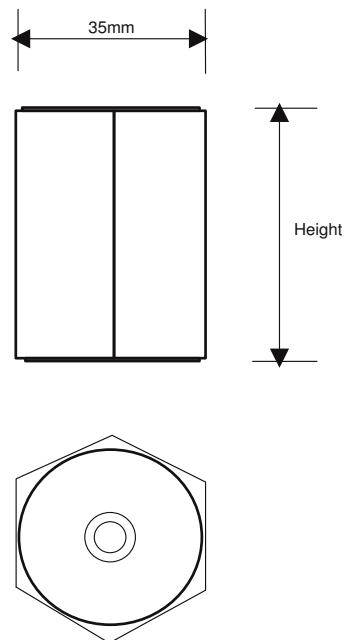
Electrical Insulators and Supports Ltd

Unit 3 Albert Street
 Little Lever
 Bolton BL3 1JH

35mm Hexagon Standoff Insulator Range

	Height	Insert	Insert Depth	Torque Nm
35HM835R	35	M8	8	>25
35HM1035R	35	M10	8	>33
35HM1040R	40	M10	11	>33
35HM1045R	45	M10	11	>33
35HM1050R	50	M10	16	>50

Material Specification	DMC Glass Reinforced Polyester
Physical	
Specific gravity	1.9
Glass content	15%
Water absorption	0.15%
Flammability	Self extinguishing
Insert	Plated steel
Mechanical	
Tensile strength	400 Kg/Cm
Flexural strength	900 Kgf/Cm
Compressive strength	1500 Kgf/Cm
Impact strength	250 J/m
Electrical	
Dielectric strength	10 KV/mm
Tracking index	>600
Arc resistance	>180



35mm Hexagon Standoff Insulator

Telephone 0845 224 0328
 Fax 0845 224 0329
 Email sales@electricalinsulators.co.uk
 Web www.electricalinsulators.co.uk

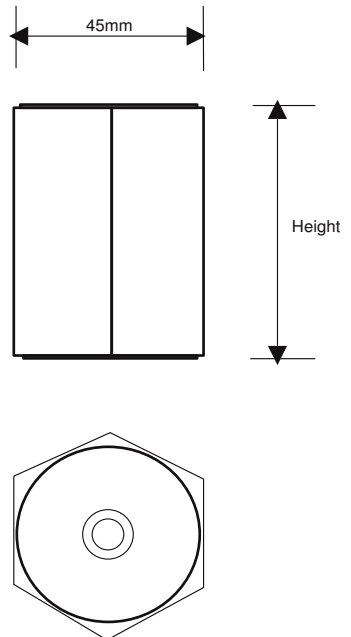
Electrical Insulators and Supports Ltd

Unit 3 Albert Street
 Little Lever
 Bolton BL3 1JH

45mm Hexagon Standoff Insulator Range

	Height	Insert	Insert Depth	Torque Nm
45HM1050R	50	M10	16	>33
45HM860R	60	M8	14	>25
45HM1060R	60	M10	16	>33
45HM1260R	60	M12	14	>54
45HM1070R	70	M10	19	>33
45HM1270R	70	M12	14	>54
45HM10100R	100	M10	14	>54
45HM12100R	100	M12	14	>54

Material Specification	DMC Glass Reinforced Polyester
Physical	
Specific gravity	1.9
Glass content	15%
Water absorption	0.15%
Flammability	Self extinguishing
Insert	Plated steel
Mechanical	
Tensile strength	400 Kg/Cm
Flexural strength	900 Kgf/Cm
Compressive strength	1500 Kgf/Cm
Impact strength	250 J/m
Electrical	
Dielectric strength	10 KV/mm
Tracking index	>600
Arc resistance	>180



45mm Hexagon Standoff Insulator

Telephone 0845 224 0328
 Fax 0845 224 0329
 Email sales@electricalinsulators.co.uk
 Web www.electricalinsulators.co.uk

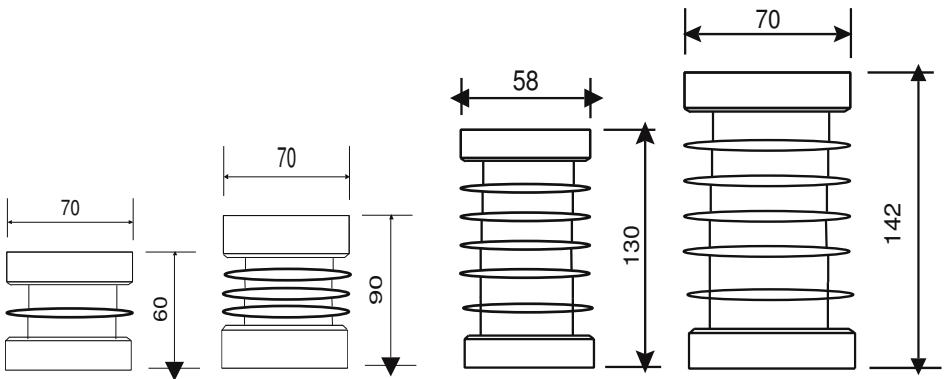
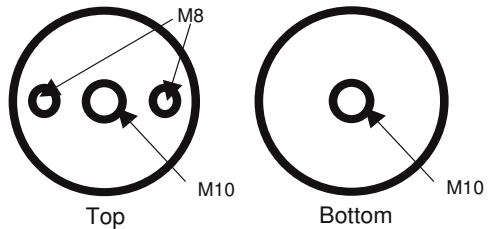
Electrical Insulators and Supports Ltd

Unit 3 Albert Street
 Little Lever
 Bolton BL3 1JH

High Voltage Insulators

	Height	Insert	Insert Depth	Torque Nm
EL 3	60	M8/M10	15	>25
EL 6	90	M8/M10	15	>25
EI 12	130	M8/M10	15	>25
EL 15	142	15	>25	

Material	Epoxy
Colour	Brown
Insert	Brass

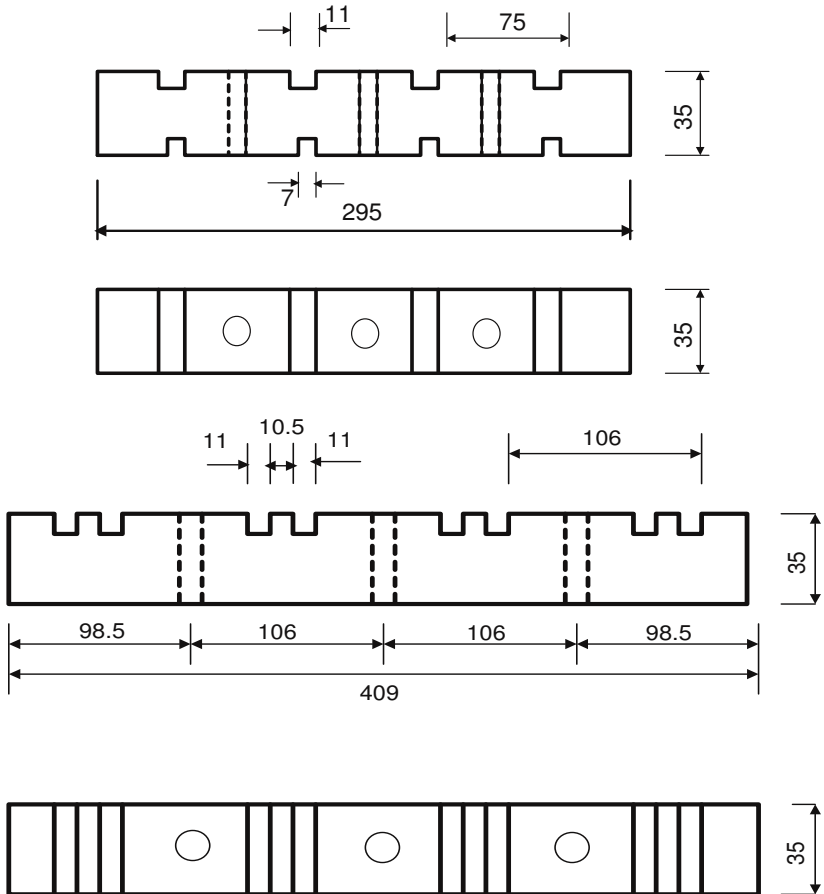


HV Insulators

Telephone 0845 224 0328
 Fax 0845 224 0329
 Email sales@electricalinsulators.co.uk
 Web www.electricalinsulators.co.uk

Electrical Insulators and Supports Ltd
 Unit 3 Albert Street
 Little Lever
 Bolton BL3 1JH

295 & 409 Busbar Supports



Material Grey DMC

295 & 409 Busbar Supports

Telephone 0845 224 0328
Fax 0845 224 0329
Email sales@electricalinsulators.co.uk
Web www.electricalinsulators.co.uk

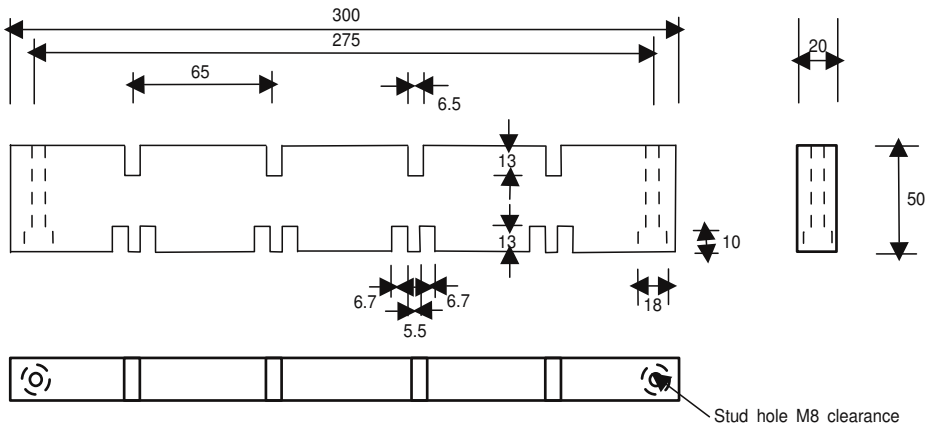
Electrical Insulators and Supports Ltd

Unit 3 Albert Street

Little Lever

Bolton BL3 1JH

PM3006 Busbar Support



Material Specification	SMC Glass Reinforced Polyester
Physical	
Specific gravity	1.7
Glass content	25%
Water absorption	0.2%
Flammability	Self extinguishing
Colour	Red
Mechanical	
Tensile strength	700 Kg/Cm
Flexural strength	1550 Kgf/Cm
Compressive strength	1800 Kgf/Cm
Impact strength	600 J/m
Electrical	
Dielective strength	12 KV/mm
Tracking index	>600
Arc resistance	>180

Copper Sizes

25 x 6mm Single
 50 x 6mm Single
 75 x 6mm Single
 100 x 6mm Single
 125 x 6mm Single
 150 x 6mm Single

25 x 6mm Twin
 50 x 6mm Twin
 75 x 6mm Twin
 100 x 6mm Twin
 125 x 6mm Twin
 150 x 6mm Twin

Minimum 489 Amps
 Maximum 3876 Amps
 Up to 65KA/1sec
 65mm centers 4 pole
 1 or 2 bars per phase

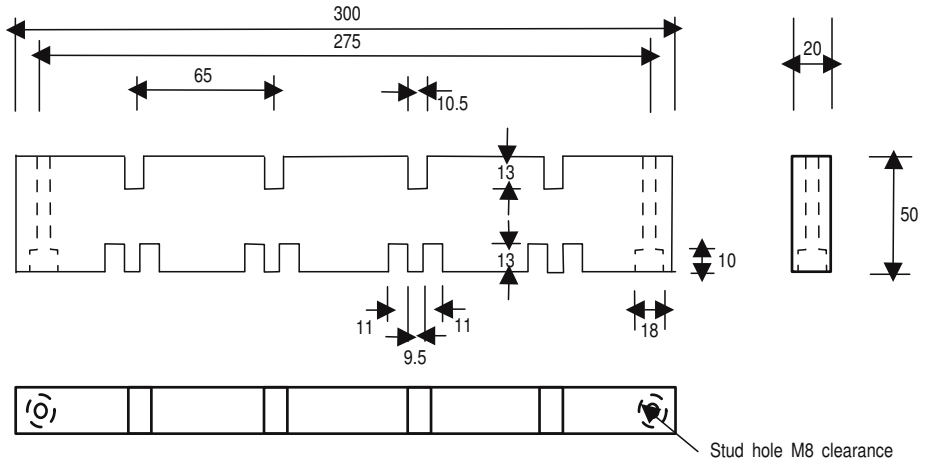
PM3006 Busbar Support

Telephone 0845 224 0328
 Fax 0845 224 0329
 Email sales@electricalinsulators.co.uk
 Web www.electricalinsulators.co.uk

Electrical Insulators and Supports Ltd

Unit 3 Albert Street
 Little Lever
 Bolton BL3 1JH

PM30010 Busbar Support



Material Specification	SMC Glass Reinforced Polyester
Physical	
Specific gravity	1.7
Glass content	25%
Water absorption	0.2%
Flammability	Self extinguishing
Colour	Red
Mechanical	
Tensile strength	700 Kg/Cm
Flexural strength	1550 Kgf/Cm
Compressive strength	1800 Kgf/Cm
Impact strength	600 J/m
Electrical	
Dielectric strength	12 KV/mm
Tracking index	>600
Arc resistance	>180

Copper Sizes

25 x 10mm Single
 50 x 10mm Single
 75 x 10mm Single
 100 x 10mm Single
 125 x 10mm Single
 150 x 10mm Single

25 x 10mm Twin
 50 x 10mm Twin
 75 x 10mm Twin
 100 x 10mm Twin
 125 x 10mm Twin
 150 x 10mm Twin

Minimum 660 Amps
 Maximum 4730 Amps
 Up to 65KA/1sec
 65mm centers 4 pole
 1 or 2 bars per phase

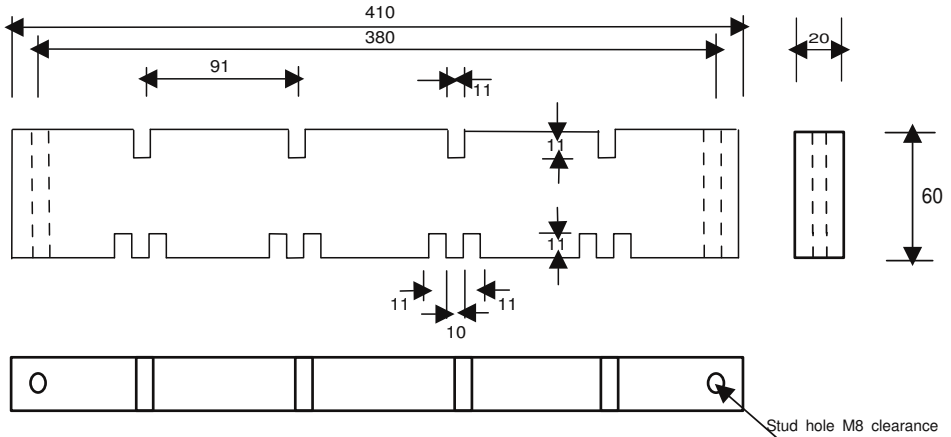
PM30010 Busbar Support

Telephone 0845 224 0328
 Fax 0845 224 0329
 Email sales@electricalinsulators.co.uk
 Web www.electricalinsulators.co.uk

Electrical Insulators and Supports Ltd

Unit 3 Albert Street
 Little Lever
 Bolton BL3 1JH

PM41010 Busbar Support



Material Specification	SMC Glass Reinforced Polyester
Physical	
Specific gravity	1.7
Glass content	25%
Water absorption	0.2%
Flammability	Self extinguishing
Colour	Red
Mechanical	
Tensile strength	700 Kg/Cm
Flexural strength	1550 Kgf/Cm
Compressive strength	1800 Kgf/Cm
Impact strength	600 J/m
Electrical	
Dielectric strength	12 KV/mm
Tracking index	>600
Arc resistance	>180

Copper Sizes

25 x 10mm Single
 50 x 10mm Single
 75 x 10mm Single
 100 x 10mm Single
 125 x 10mm Single
 150 x 10mm Single

25 x 10mm Twin
 50 x 10mm Twin
 75 x 10mm Twin
 100 x 10mm Twin
 125 x 10mm Twin
 150 x 10mm Twin

Minimum 660 Amps
 Maximum 4730 Amps
 Up to 65KA/1sec
 91mm centers 4 pole
 1 or 2 bars per phase

PM41010 Busbar Support

Telephone 0845 224 0328
 Fax 0845 224 0329
 Email sales@electricalinsulators.co.uk
 Web www.electricalinsulators.co.uk

Electrical Insulators and Supports Ltd

Unit 3 Albert Street
 Little Lever
 Bolton BL3 1JH

Copper Busbar Ratings

Bar Size	CSA	1 Bar Amps	2 Bar Amps
25 x 6	150	489	939
40 x 6	240	718	1388
50 x 6	300	862	1641
60 x 6	360	1002	1884
80 x 6	480	1288	2343
100 x 6	600	1541	2784
125 x 6	750	1841	3353
150 x 6	900	2140	3876
25 x 10	250	660	1256
50 x 10	500	1160	2091
80 x 10	800	1646	2937
100 x 10	1000	1953	3465
125 x 10	1250	2315	4097
150 x 10	1500	2678	4730

Notes

AC current ratings for rectangular copper bars.
Based on a 50°C rise over a 35°C ambient temp.
Based on an emmissivity factor of 0.2
Bars mounted in still but unconfined air.
Bars should be derated when enclosed.
Based on the Copper Development Association figures.
Ratings are for guidance only.

Copper Busbar ratings

Telephone 0845 224 0328
Fax 0845 224 0329
Email sales@electricalinsulators.co.uk
Web www.electricalinsulators.co.uk

Electrical Insulators and Supports Ltd

Unit 3 Albert Street
Little Lever
Bolton BL3 1JH

Material Comparison

Material Specification	SMC Glass Reinforced Polyester	DMC Glass Reinforced Polyester
Physical		
Specific gravity	1.7	1.9
Glass content	25%	15%
Water absorption	0.2%	0.15
Flammability	Self extinguishing	Self extinguishing
Colour	Red	Red
Mechanical		
Tensile strength	700 Kg/Cm	400 Kg/Cm
Flexural strength	1550 Kgf/Cm	900 Kgf/Cm
Compressive strength	1800 Kgf/Cm	1500 Kgf/Cm
Impact strength	600 J/m	250 J/m
Electrical		
Dielective strength	12 KV/mm	10 KV/mm
Tracking index	>600	>600
Arc resistance	>180	>180

Material Comparison

Telephone 0845 224 0328
 Fax 0845 224 0329
 Email sales@electricalinsulators.co.uk
 Web www.electricalinsulators.co.uk

Electrical Insulators and Supports Ltd
 Unit 3 Albert Street
 Little Lever
 Bolton BL3 1JH

Terms and Conditions

Unless otherwise specifically agreed in writing all orders will be accepted and goods supplied by Electrical Insulators and Supports Ltd subject to and upon these Conditions

All prices listed exclude VAT which will be charged at the rate ruling at the time of despatch.

All carriage is charged extra at cost. Goods will normally be depatched by a standard next day parcel service unless otherwise agreed and confirmed in writing. All prices listed include for our standard packing.

All goods should be unpacked on receipt and inspected. Any damage should be reported to EIS Ltd within 5 days of receipt. If we are not informed within this period that the goods supplied are damaged or otherwise rejected the goods will be deemed to be in accordance with the order and that the purchaser will be bound to pay for the goods.

No goods supplied pursuant to your order may be returned for any reason without first obtaining our written permission and at the purchasers costs.

Any goods returned for credit must be returned unopened and in as supplied condition within 30 days from the invoice date. A minimum handling charge of 10% will be applied for any such goods returned.

Payment terms Established accounts - Nett 30 days from invoice date

Non-accounts - Proforma invoice (subject to a 5% discount)

We reserve the right to withdraw credit account facilities for whatever reason and without notice.

Title of the goods does not pass to the purchaser until such time as payment is received in full for all outstanding debts. We reserve the right of entry to retrieve our goods from the purchaser's premises should there be a default in payment owing to insolvency

Unless otherwise agreed in writing the contract shall in all respects be construed and operate as an English Contract and in conformity with English Law

All information given by Electrical Insulators and Supports Ltd is for guidance only No responsibility can be accepted by EIS for any errors or omissions. It is the purchasers responsibility to ensure that the products offered are suitable for the application. All information is copyright © EIS Ltd 2003

Terms and Conditions

Telephone 0845 224 0328
Fax 0845 224 0329
Email sales@electricalinsulators.co.uk
Web www.electricalinsulators.co.uk

Electrical Insulators and Supports Ltd

Unit 3 Albert Street

Little Lever

Bolton BL3 1JH